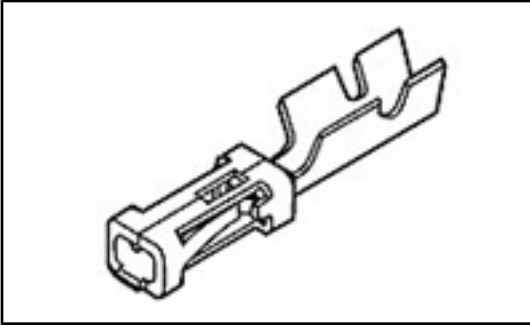


87046-4 Product Details



87046-4

TE Internal Number: 87046-4

 [Active](#)

.100 AMPMODU Headers, Housings & Contacts

 [Always EU RoHS/ELV Compliant \(Statement of Compliance\)](#)

Product Highlights:

- Contact
- Contact Type = Receptacle
- Terminate To Wire
- Wire Insulation Diameter = 1.75 mm
- Wire Range = 0.20-0.60² [24-20] mm [AWG]

[View all Features](#)

Documentation & Additional Information

Product Drawings:

- [CRIMP SNAP-IN, LOOSE PIECE CONTACT, MOD IV-1/2](#), (PDF, English)

Catalog Pages/Data Sheets:

- [AMPMODU_INTERCONNECTION_SYSTEM_SECTION5_CONT](#) (PDF, English)

Product Specifications:

- [Interconnection System, AMPMODU Mod IV 1/2](#) (PDF, English)

Application Specifications:

- [AMPMODU MOD IV, IV1/2, and V Receptacles and Housings](#) (PDF, English)

Instruction Sheets:

- None Available

CAD Files:

- None Available

[List all Documents](#)

Additional Information:

- [Product Line Information](#)

Related Products:

- [Tooling](#)

Product Features (Please use the Product Drawing for all design activity)

Product Type Features:

- Product Type = Contact
- Wire Insulation Diameter (mm [in]) = 1.75 [0.069]
- [Connector Series](#) = Mod IV.v
- Wire Termination Type = Crimp
- With Insulation Support = Yes
- Applied Pressure = Intermediate
- Comment = (*) For use with Model "K" machines. Call the Technical Assistance Center (1-800-522-6752) for part numbers of applicators for use with Model "G" machines, as well as other bench machines and fully automatic AMPOMATOR lead making machines.

Electrical Characteristics:

- Voltage Rating (VAC) = 250
- Contact Current Rating (Amps.) = 3
- Termination Resistance (m Ω) = 12
- Insulation Resistance (M Ω) = 5,000
- Dielectric Withstanding Voltage (V) = 750

Termination Related Features:

- Crimp Area Plating = Nickel

Body Related Features:

- [Wire Range \(mm \[AWG\]\)](#) = 0.20-0.60² [24-20]

Contact Related Features:

- Contact Type = Receptacle
- [Contact Mating Area Plating Material](#) = Tin
- Contact Base Material = Beryllium Copper
- Approved Standards = UL E28476, CSA LR7189

Industry Standards:

- [RoHS/ELV Compliance](#) = RoHS compliant, ELV compliant
- [Lead Free Solder Processes](#) = Not relevant for lead free process
- RoHS/ELV Compliance History = Always was RoHS compliant

Conditions for Usage:

- [Terminate To](#) = Wire
- Operating Temperature (°C) = -65 – +105

Packaging Related Features:

- Packaging Method = Loose Piece

Other:

- Brand = AMP